

# Put 'em in and forget 'em!

MODELS: 15-4 and 25-4

## TRIM FANS

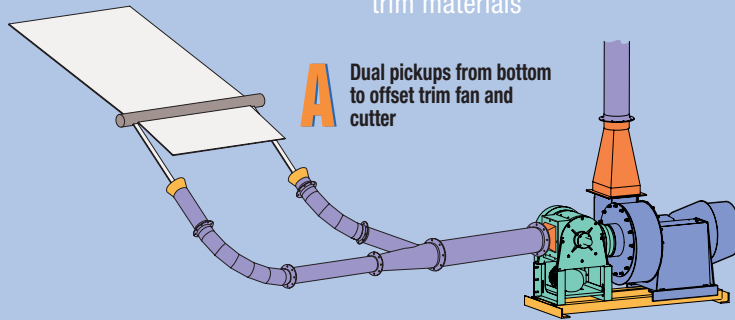
Our Trim Fan models effectively handle edge trim quickly and efficiently without clogging.

### Ideal for use with:

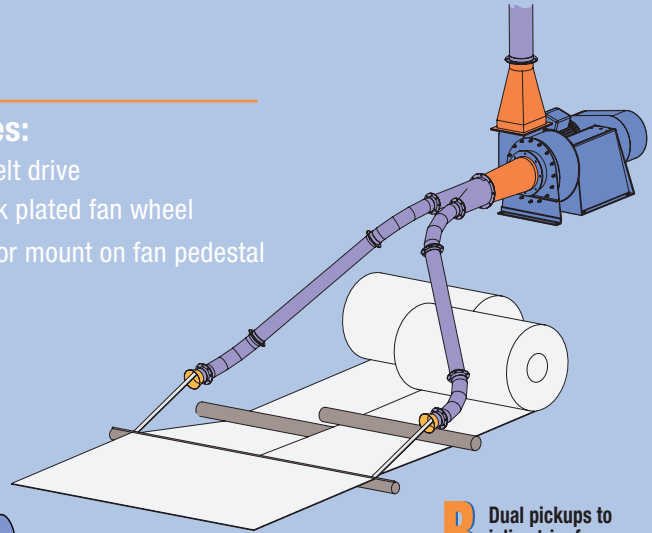
- Film
- Foil
- Paper
- Light, narrow trim materials

### Features:

- V-Belt drive
- Back plated fan wheel
- Motor mount on fan pedestal



**A** Dual pickups from bottom to offset trim fan and cutter



**B** Dual pickups to inline trim fan

MODELS: 25-2, 30-2, 35-2, 40-2, 45-2, 50-2, 55-2 and 60-2

## HEAVY DUTY FANS

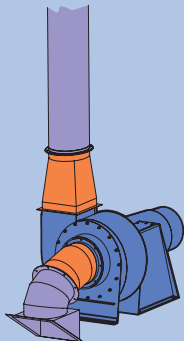
Durable and reliable heavy-duty designs, up to the task and built to last. Space-saving motor mount on fan pedestal.

### Ideal for use with:

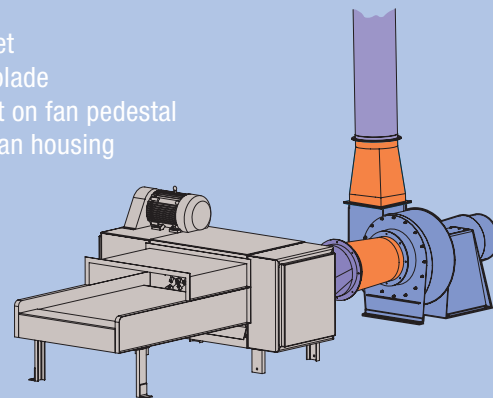
- Corrugated board
- Folding carton stock
- Printing waste
- Laminated board

### Features:

- V-Belt drive
- Spider gusset
- Canted fan blade
- Motor mount on fan pedestal
- Reinforced fan housing



**C** Floor sweep



**D** Floor shredder with BloApCo fan for shredded materials

# Material Handling Fan Application Worksheet

## Type of Material:

- Paper
- Foil
- Film
- Corrugated

Other \_\_\_\_\_

## Pneumatic Scrap System:

Pick-Up Duct Ø" \_\_\_\_\_

Pick-Up Duct Length \_\_\_\_\_ ft.

Main Duct Ø" \_\_\_\_\_

Main Duct Length \_\_\_\_\_ ft.

## Converting Equipment:

- Slitter/Rewinder
- Shredder
- Flexo-folder
- Die-Cutter
- Floor Sweep

Other \_\_\_\_\_

## Material Separator:

- Cyclone
- Slant Screen (APS Type)
- Discharge Horn

Other \_\_\_\_\_

# CUSTOM

BloApCo solutions make short work of product destruction! Just let us know your type of material, the distance you have to convey, and your feed rate (per minute) — ***BloApCo can handle it!***

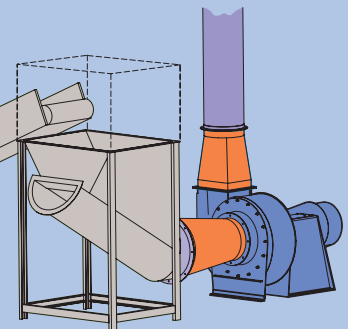
## Ideal for use with:

- Whole magazines
- Metals
- Plastic
- Rapid destruction of a wide range of other bulky, hard-to-handle scrap materials

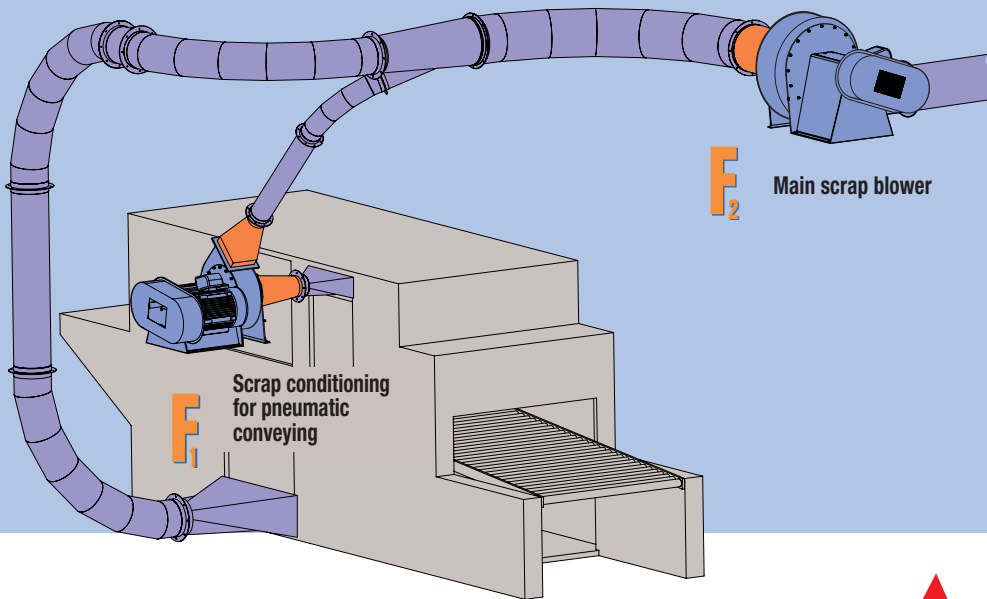
## We Can Modify:

- Number of fan blades
- Construction materials for abrasive applications
- Fan housing
- Inlet size
- Wheel profiles

**E** Self-feeding fan with conveyor and pneumatic hopper



**E<sub>2</sub>** Main scrap blower



## BLOWER APPLICATION COMPANY, INC.

N114 W19125 Clinton Dr.  
 PO Box 279 • Germantown, WI  
 53022-0279 • 800-959-0880  
 e-mail: sales@bloapco.com  
 www.bloapco.com