

# MATERIAL HANDLING FAN

## Model 30-2

For more information about other BloApCo Fan models, see Bulletin 011.

### Key Features

#### Oversized hub

#### Rotating outlet

- 360° at 22.5° increments.

#### Special fan wheel design

- All-continuous welded construction.
- Certified, dynamically balanced and stress-relieved.
- Non-clogging, with flared inlet, tapered blade and supporting back plate.

#### Special heavy-duty blades

- Angular blade construction adds efficiency.
- One-piece spider gusset adds strength.

#### Oversized chrome steel – centerless ground shaft

- Eliminates shaft deflection under heavy loading.
- Insures close tolerance between fan shaft, bearings and fan wheel.

#### Heavy-duty flanged bearings

- For long life.
- Heavy surge loading.

#### Unique shaft mount

- Allows placement of the bearings close to the wheel and drive pulley, reducing overhung bearing and shaft stress.

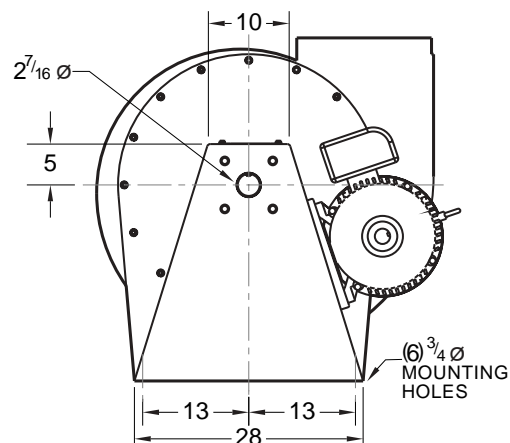
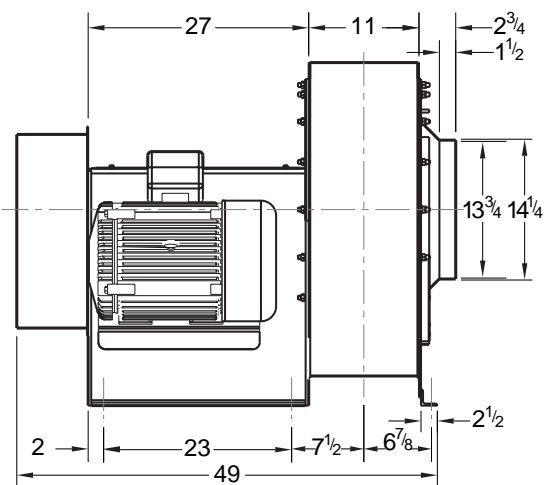
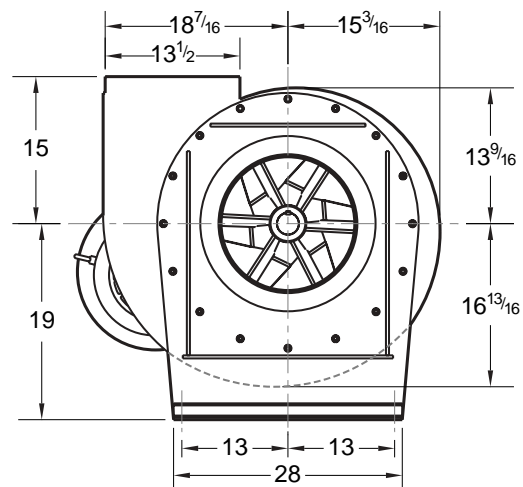
#### Exterior continuous welded fan housing

- Provides years of extended trouble-free operation.

#### Integral fan pedestal/motor mounting

- Arrangement 9.

#### OSHA approved belt guard



All dimensions are submittal data only, and subject to change without notice. Do not use for construction unless BloApCo certified.

# Performance Curve

# Model 30-2

NOTE: This curve is extrapolated from tabular data of similar radial blade fans and is not based on actual performance tests of this particular fan.

Wheel Diameter: 22<sup>3</sup>/<sub>4</sub>"    Shaft Diameter: 2<sup>7</sup>/<sub>16</sub>"    Outlet Area: 0.968 Sq.Ft.    Inlet Area: 1.031 Sq.Ft.    Max RPM: 3200

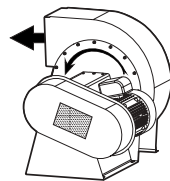
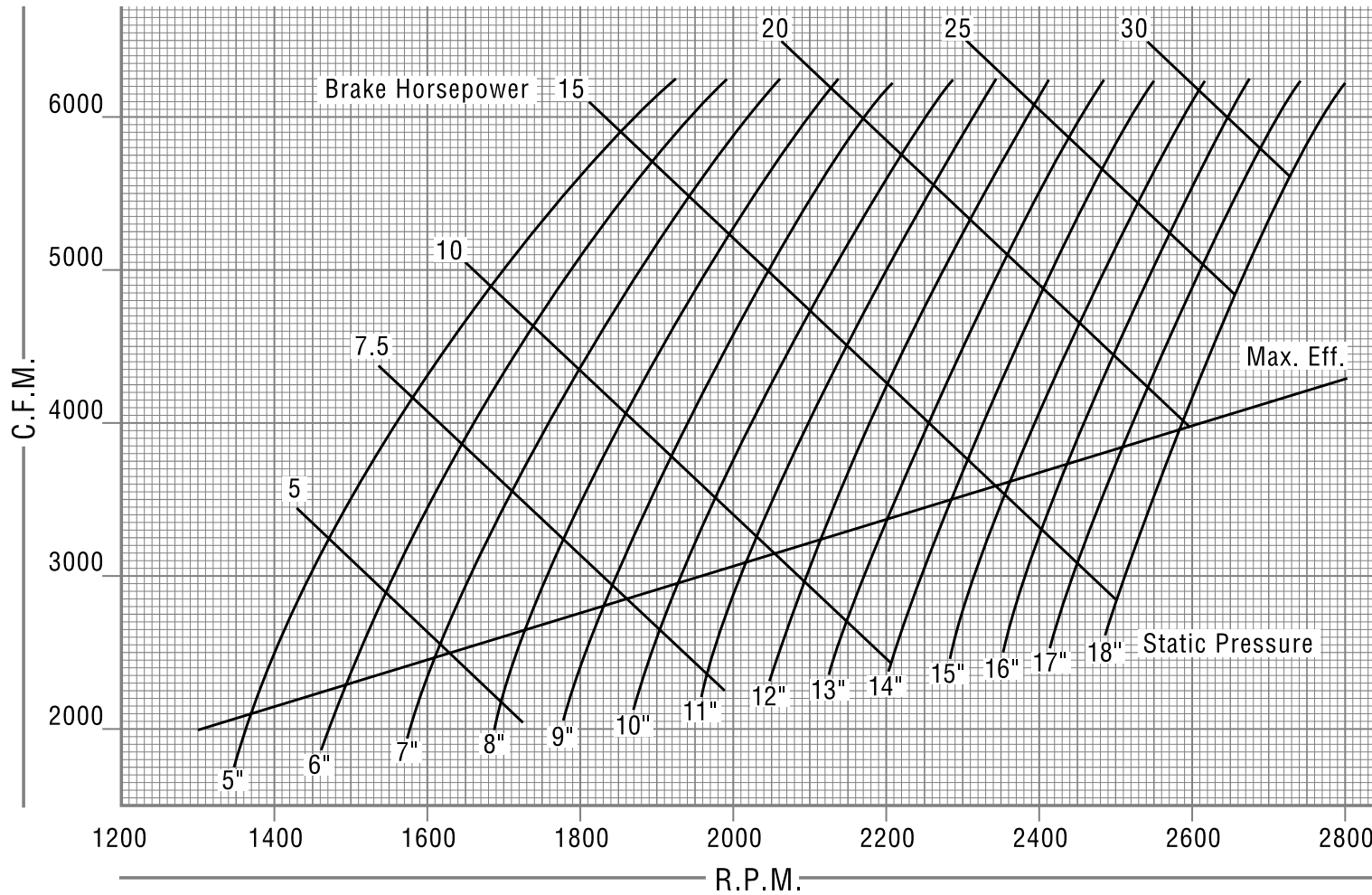


FIGURE 1

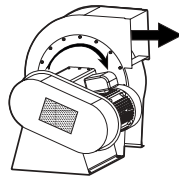


FIGURE 2

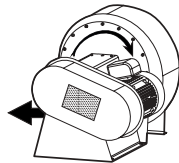


FIGURE 3

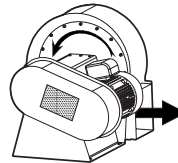


FIGURE 4

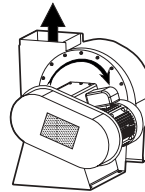


FIGURE 5

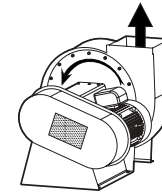


FIGURE 6

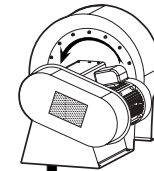


FIGURE 7

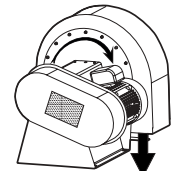


FIGURE 8

For more information about other BloApCo Fan models, see Bulletin 011.