

TRIM CUTTER

Model 8-8

For more information about this model, see Bulletin 991.



SHEAR-CUT ACTION TO HANDLE THIN FILM

Top Performance

The Model 8-8 trim cutter offers proven BloApCo design with new, innovative maintenance and operating features to achieve higher performance and economy. Driven by a 5-hp electric motor, the 8-8 shear-cuts thin foil, thin plastic film, foil laminates, and paperboard trim as thin as 0.00025" and up to 13" wide. Wear-resistant T-15 can be mated with slitting equipment and reduce multiple ribbons of trim, depending on weight and thickness, for pneumatic conveying, baling, disposal or recycling.

Precise Operation

Cutting with one stationary bed knife and two rotating knives, the 8-8 makes two cuts per revolution at speeds from 500 to 3,600 rpm and passes 4,500 cfm of air at a static pressure loss of 2.0" wg. The split-housing feature permits easy access to the cutting blades, permitting quick removal for sharpening and "in-body" rotor grinding. Class "00" tapered roller bearings eliminate endplay and runout problems, while the open rotor design allows fast, free flow of cut material through the cutter housing.

Easy Installation

Installation of a Model 8-8 trim cutter is quick and simple: The cutter is factory-tested, tailored to your application, and shipped completely assembled and ready to run.

CAPABILITIES

Materials

Paper, plastic film and foil trim

Trim Width max

13" (330.2 mm)

Caliper Range

.25 mil to 20 mil
0.00025" to 0.02000"
0.064 mm to 0.508 mm

Air Capacity

4,500 cfm (7,650 m³/hr)

Static Pressure Loss

2.0" wg @ 5,000 fpm (1,524 mpm) air velocity

Drive

V-Belt or Direct Drive

Cutting Action

Shear

Rotor speed

500 to 3,600 rpm

Weight

440 lbs. (200 kg) with motor

Dimensions

L x W x H: 27³/₄" x 22" x 34³/₄"
(704.9 mm x 558.8 mm x 882.7 mm)

FEATURES

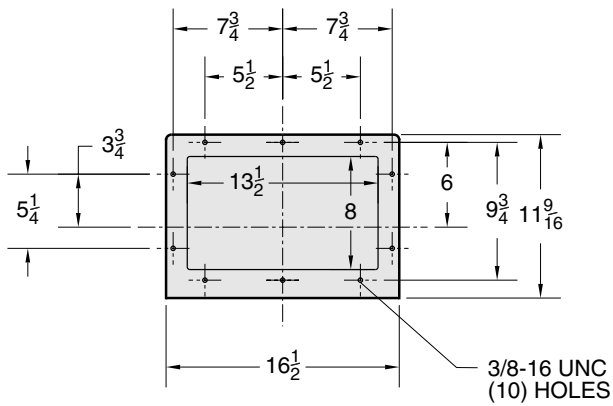
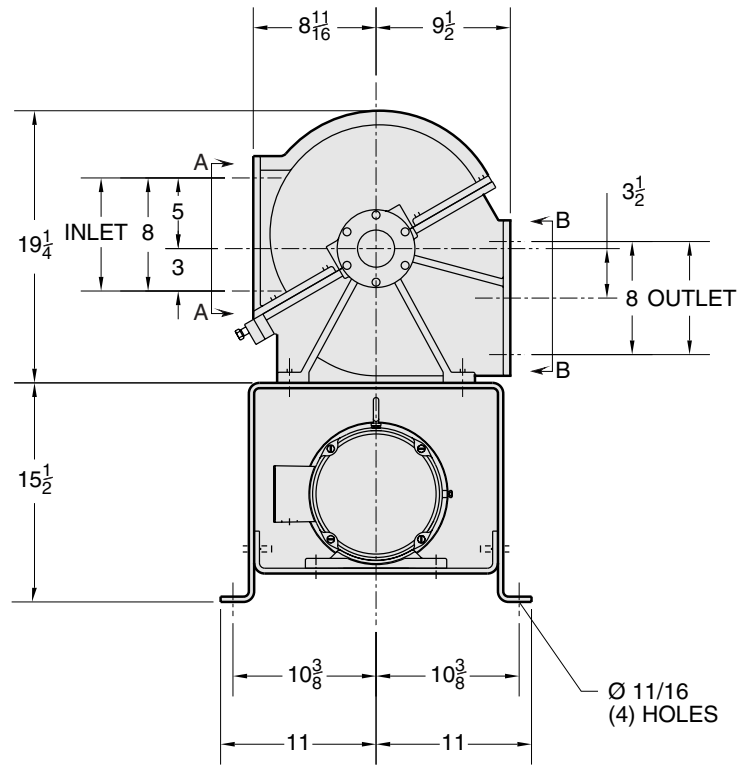
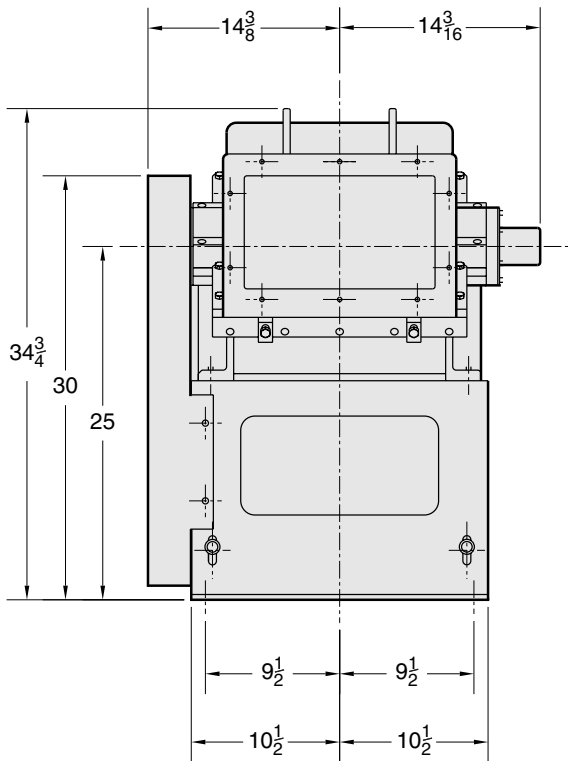
- Multiple knives: T-15, Carbide
- Class "00" tapered roller bearings eliminate endplay and runout
- Rotor shaft supported by tapered roller bearings maintains rotor stability for long life
- Open-rotor design facilitates free passage of air and material
- Multiple mounting and drive arrangements
- Multiple flanged-inlet positions
- 5 HP 3/60/460-volt TEFC motor is standard

OPTIONS

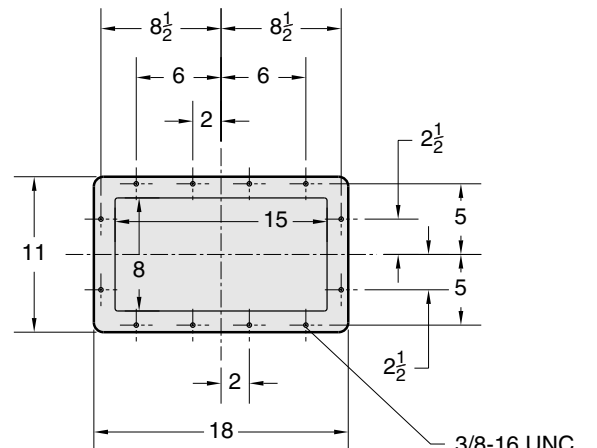
- Oil mist unit
- Gear motor drive
- Safety disconnect switch
- Tandem rail mounting with BloApCo material-handling fan

Dimensions

Model 8-8



VIEW "A-A"
INLET



VIEW "B-B"
OUTLET

For more information about this model, see Bulletin 991.

Revised 201510



BloApCo
Blower Application Company

N114 W 19125 Clinton Drive • P.O. Box 279 • Germantown, WI 53022-0279 • 800.959.0880 • 262.255.5580 • FAX: 262.255.3446 • bac@bloapco.com • bloapco.com